

SPOKES & NIPPLES FOR MOTORCYCLES
CATALOGUE

ALPINA
SINCE 1926



SPOKES

STANDARD	4
BUTTED - SINGLE DIAMETER REDUCTION.....	5
BUTTED - DOUBLE DIAMETER REDUCTION.....	6
BUTTED - TRIPLE DIAMETER REDUCTION.....	7

NIPPLES

STANDARD - RECESSED TORX KEY T40.....	9
STANDARD - RECESSED KEY QUADRIX 4.....	10
STANDARD - SCREW CUT.....	11
ABS - HEXAGONAL HEAD.....	12
ABI - RECESSED TORX KEY T40.....	13
ABK - RECESSED QUADRIX KEY 4.....	14
ABR - HEXAGONAL HEAD.....	15
STS TUBELESS - TE / HEXAGONAL HEAD - SINGLE O-RING - STEEL Ø 8.80.....	16
STS TUBELESS - TE / HEXAGONAL HEAD - DOUBLE O-RING - STEEL Ø 8.80.....	17
STS TUBELESS - TE / HEXAGONAL HEAD - SINGLE O-RING - ALLOY Ø 10.60.....	18
STS TUBELESS - TE / HEXAGONAL HEAD - DOUBLE O-RING - ALLOY Ø 10.60.....	19
STS 2 TUBELESS / RECESSED QUADRIX 4 - DOUBLE O-RING - STEEL Ø 8.80.....	20





SPOKES

STANDARD

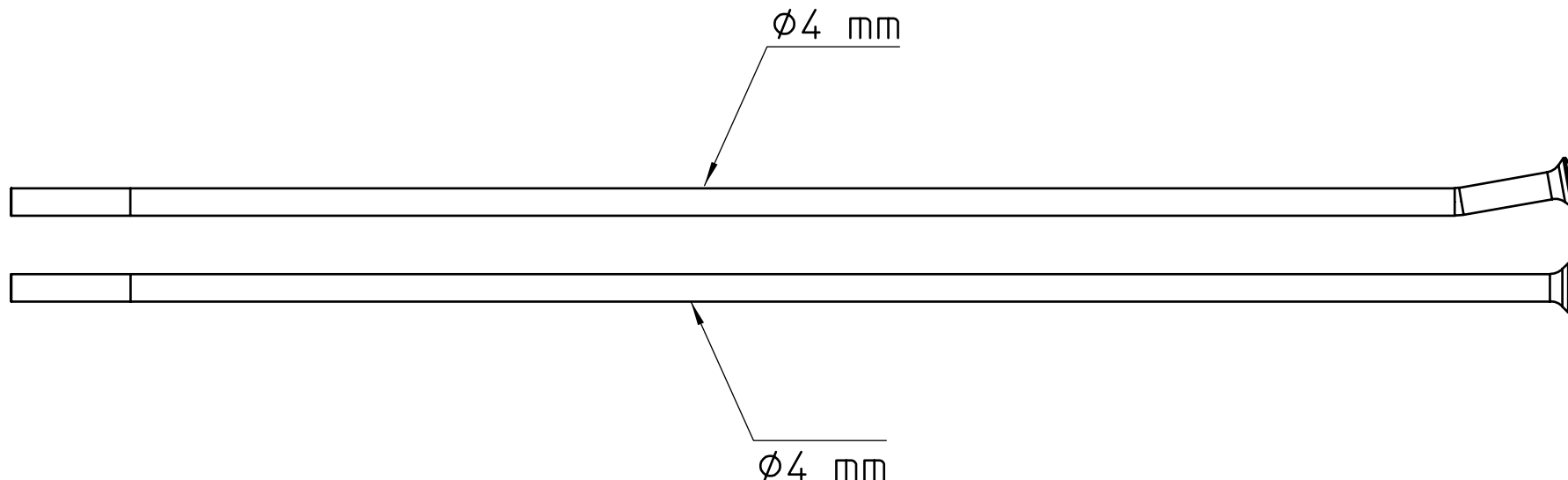
BUTTED - SINGLE DIAMETER REDUCTION

BUTTED - DOUBLE DIAMETER REDUCTION

BUTTED - TRIPLE DIAMETER REDUCTION

STANDARD

Simple and essential, standard spokes are the result of a careful selection of materials and surface treatments and the precision of our manufacturing processes.



- **DIAMETER**

Ø 2.50 - 3.00 - 3.50 - 4.00 mm

- **LENGTH**

130 to 310 mm

- **HEAD**

Straight head

Bended head

- **THREAD**

2.87 x 40 fil / 1"

M3.5x0.6 - M4x0.7 - M4.5x0.75

- **PACKAGE QUANTITY**

500 pieces

- **MATERIALS**

Stainless steel - Carbon steel

- **COLORS**

Black / Silver

- **SURFACE COATINGS**

- **Carbon steel - silver version:**

Electrogalvanizing,
trivalent galvanizing, zinc / nickel

- **Carbon steel - black version:**

Zinc nickel, cataphoresis

- **Stainless steel - silver version:**

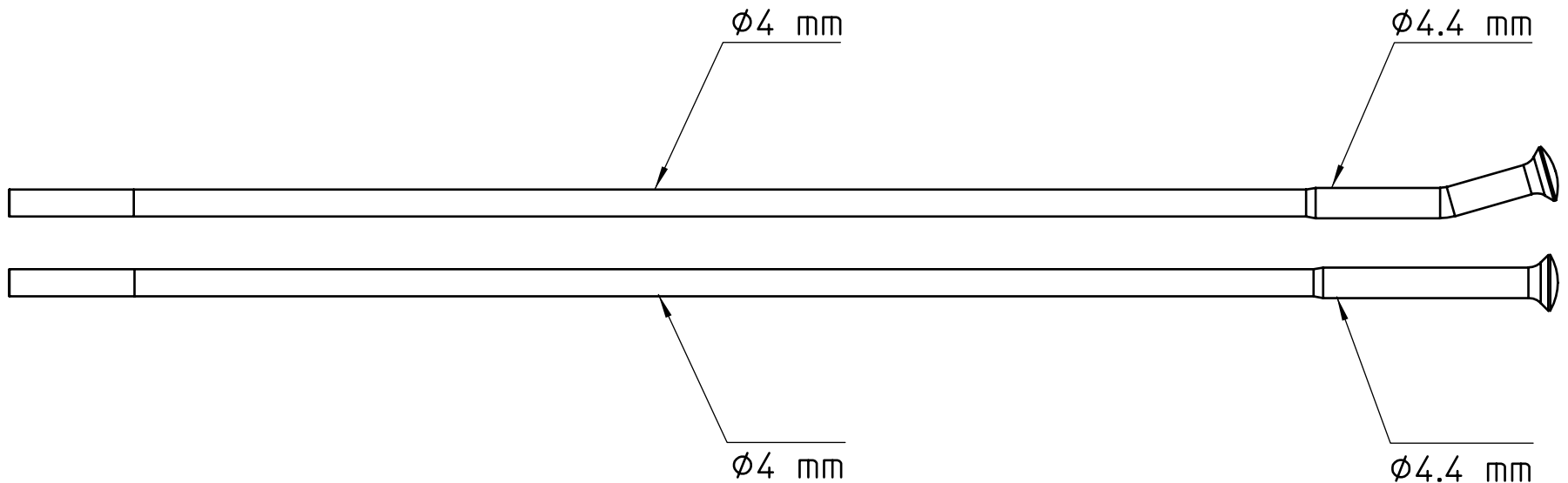
Natural - no treatment

- **Stainless Steel - black version:**

Burnishing

BUTTED – SINGLE DIAMETER REDUCTION

Butted spokes have an increased thickness, ideal for ensuring durability and high stress resistance.



- **DIAMETER**

Ø 3.5/3 – 4/3.5 – 4.4/4 – 5/4 – 5/4.4 mm

- **LENGTH**

130 to 310 mm

- **HEAD**

Straight head

Bended head

- **THREAD**

M3.5x0.6 – M4x0.7 – M4.5x0.75 – M5X0.8

- **PACKAGE QUANTITY**

500 pieces

- **MATERIALS**

Stainless steel – Carbon steel

- **COLORS**

Black / Silver

- **SURFACE COATINGS**

Carbon steel – silver version:

Electro galvanizing,
trivalent galvanizing, zinc / nickel

Carbon steel – black version:

Zinc nickel, cathoporesis

Stainless steel – silver version:

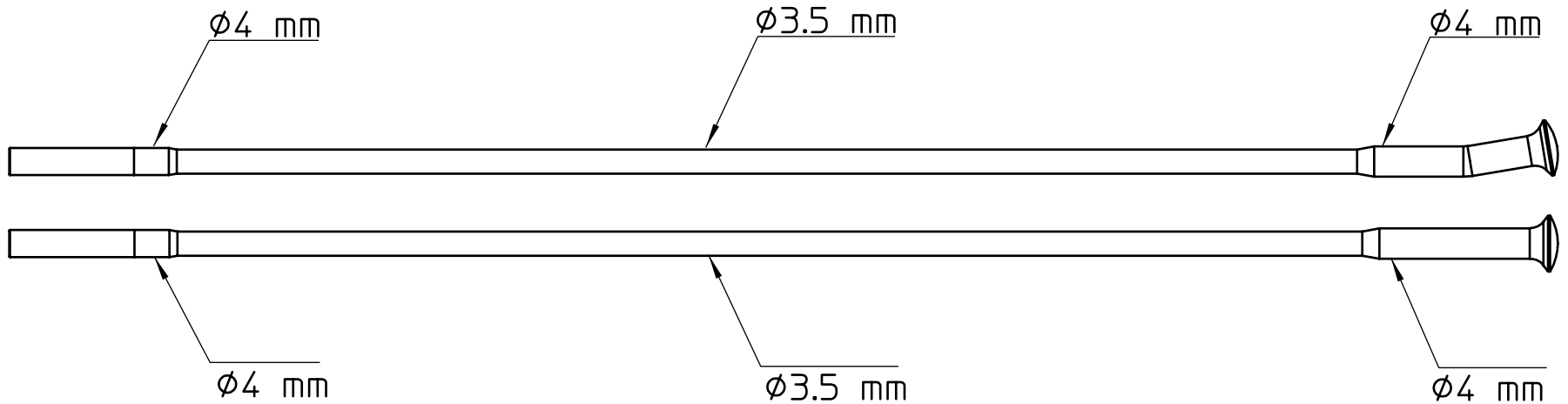
Natural – no treatment

Stainless Steel – black version:

Burnishing

BUTTED - DOUBLE DIAMETER REDUCTION

Butted spokes have an increased thickness, ideal for ensuring durability and high stress resistance.



- **DIAMETER**

ϕ 3.5/3.0/3.5 - 3.5/3.2/3.2/3.5 mm

ϕ 4/3.7/4 - 4/3.5/4 - 4/3.3/4 -
4/3.2/4 - 4/3.1/4 mm

ϕ 4.4/4.1/4.4 - 4.4/3.9/4.4 -
4.4/3.7/4.4 - 4.4/3.5/4.4 mm

- **LENGTH**

130 to 310 mm

- **HEAD**

Straight head

Bended head

- **THREAD**

M4x0.7 - M4.5x0.75 - M5X0.8

- **PACKAGE QUANTITY**

500 pieces

- **MATERIALS**

Stainless steel - Carbon steel

- **COLORS**

Black / Silver

- **SURFACE COATINGS**

Carbon steel - silver version:

Electro galvanizing,
trivalent galvanizing, zinc / nickel

Carbon steel - black version:

Zinc nickel, cathoporesis

Stainless steel - silver version:

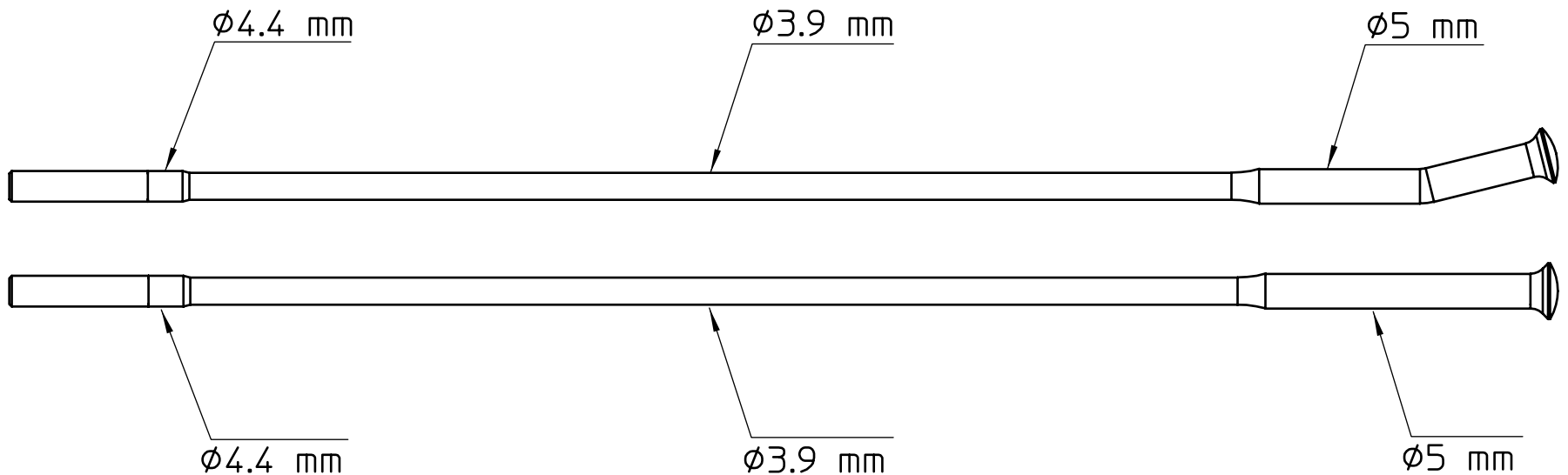
Natural - no treatment

Stainless Steel - black version:

Burnishing

BUTTED - TRIPLE DIAMETER REDUCTION

Butted spokes have an increased thickness, ideal for ensuring durability and high stress resistance.



- **DIAMETER**

Ø 4.4/3.5/4 - 4.4/3.7/4 mm

Ø 5/3.9/4.4 mm

- **LENGTH**

130 to 310 mm

- **HEAD**

Straight head

Bended head

- **THREAD**

M4.5x0.75 - M5X0.8

- **PACKAGE QUANTITY**

500 pieces

- **MATERIALS**

Stainless steel - Carbon steel

- **COLORS**

Black / Silver

- **SURFACE COATINGS**

- **Carbon steel - silver version:**

Electro galvanizing,
trivalent galvanizing, zinc / nickel

- **Carbon steel - black version:**

Zinc nickel, cataphoresis

- **Stainless steel - silver version:**

Natural - no treatment

- **Stainless Steel - black version:**

Burnishing



NIPPLES

STANDARD - RECESSED TORX KEY T40

STANDARD - RECESSED KEY QUADRIX 4

STANDARD - SCREW CUT

ABS - HEXAGONAL HEAD

ABI - RECESSED TORX KEY T40

ABK - RECESSED QUADRIX KEY 4

ABR - HEXAGONAL HEAD

**STS TUBELESS – TE / HEXAGONAL HEAD -
SINGLE O-RING - STEEL Ø 8.80**

**STS TUBELESS – TE / HEXAGONAL HEAD -
DOUBLE O-RING - STEEL Ø 8.80**

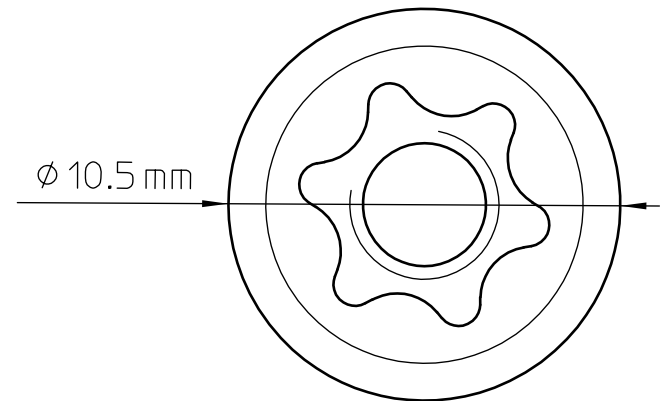
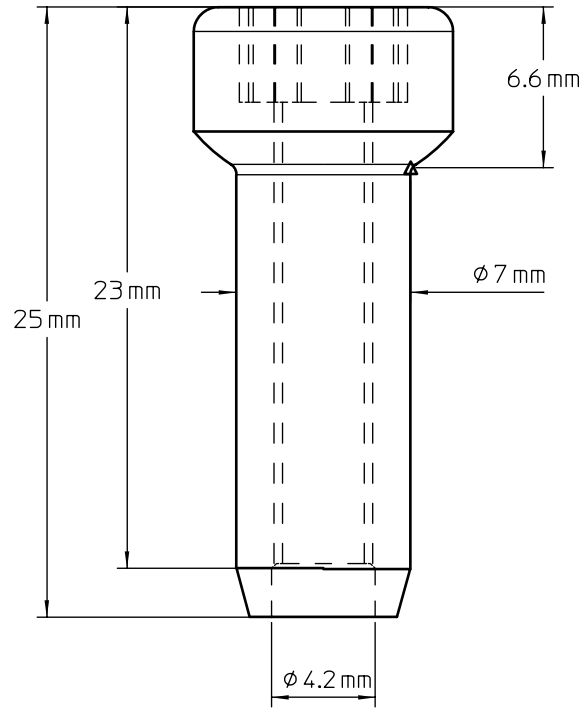
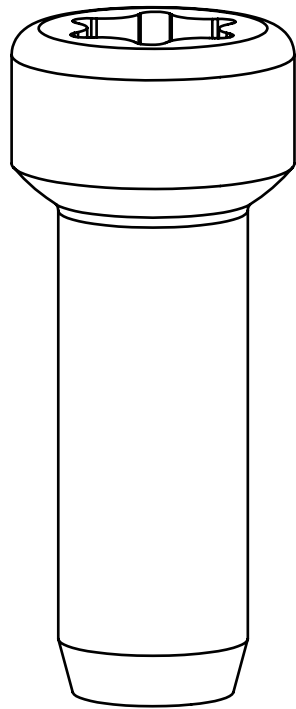
**STS TUBELESS – TE / HEXAGONAL HEAD -
SINGLE O-RING - ALLOY Ø 10.60**

**STS TUBELESS – TE / HEXAGONAL HEAD -
DOUBLE O-RING - ALLOY Ø 10.60**

**STS 2 TUBELESS / RECESSED QUADRIX 4 -
DOUBLE O-RING - STEEL Ø 8.80**

STANDARD - RECESSED TORX KEY T40

Standard: simple and essential, the nipples in the standard range are the result of a careful selection of materials and surface treatments and the precision of our manufacturing processes.



- **BODY DIAMETER**

$\phi 7$ mm

- **LENGTH**

25 mm

- **THREAD**

M4x0.7

- **PACKAGE QUANTITY**

2000 pieces

- **ADDITIONAL INFORMATION**

These nipples can be produced with the same dimensions and properties with the following thread sizes:

M3.5x0.6 / M4.5x0.75 / 2.50 mm

- **MATERIALS**

High strength steel - class 8

- **COLORS**

Black / Silver

- **SURFACE COATINGS**

Steel Silver version:

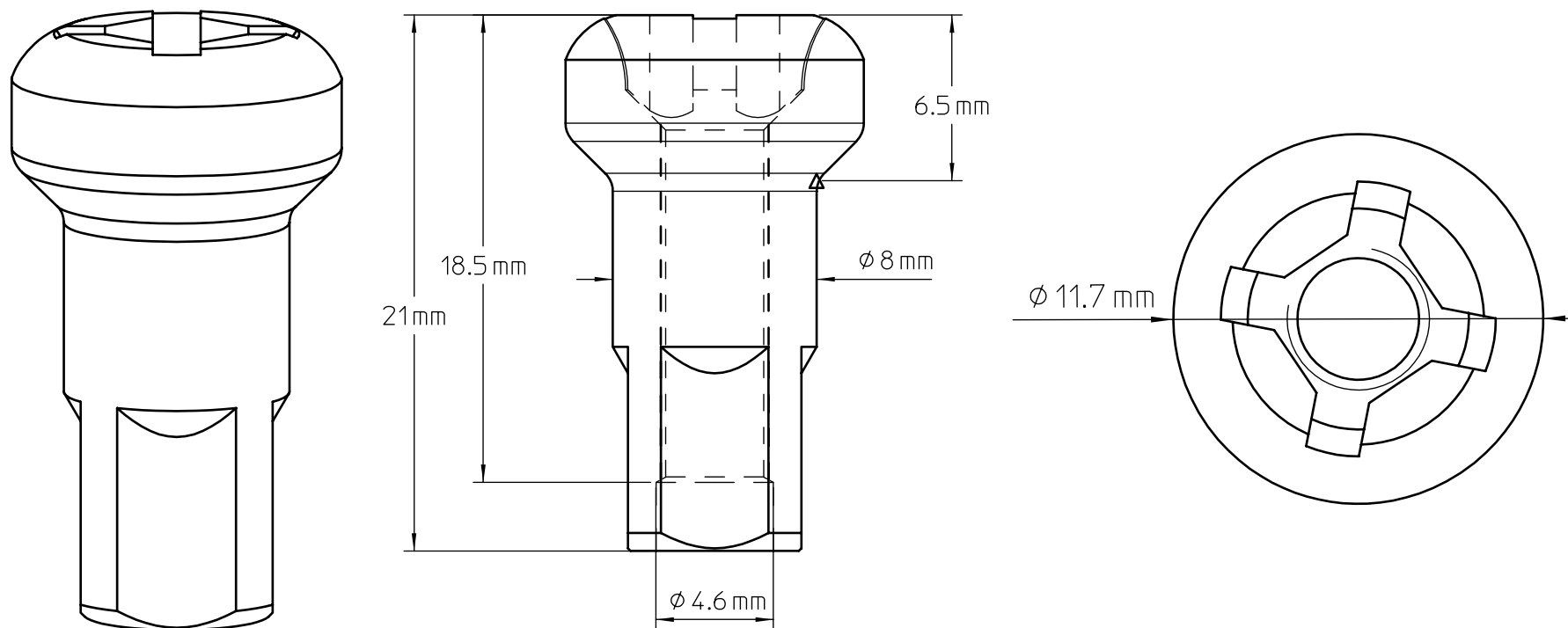
Zinc nickel, trivalent galvanizing, passivated zinc

Black Steel version:

Zinc nickel

STANDARD - RECESSED KEY QUADRIX 4

Standard: simple and essential, the nipples in the standard range are the result of a careful selection of materials and surface treatments and the precision of our manufacturing processes.



- **BODY DIAMETER**

$\phi 8\text{ mm}$

- **LENGTH**

21 mm

- **THREAD**

M4.5x0.75

- **PACKAGE QUANTITY**

2000 pieces

- **FURTHER INFORMATION**

These nipples can be produced with the same dimensions and properties with the following thread sizes:

M5x0.8 (steel version only)

M4x0.7, M3.5x0.6 and 2.50 mm

- **MATERIALS**

Alloy 2024

Carbon Steel Class 8 High Strength

- **COLORS**

Black / Silver

Other colors on request only in anodized aluminum version

- **SURFACE COATINGS**

Alloy

Polishing

Anodizing

Steel

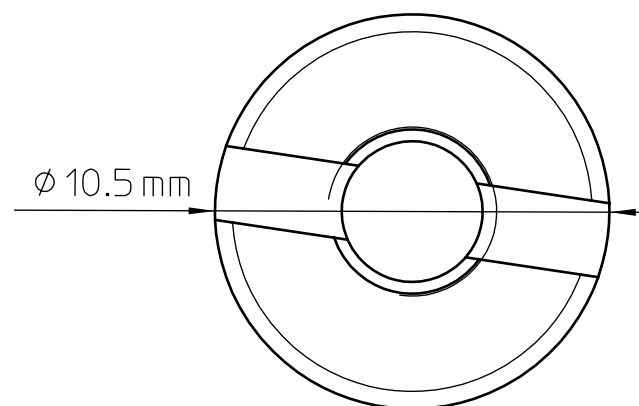
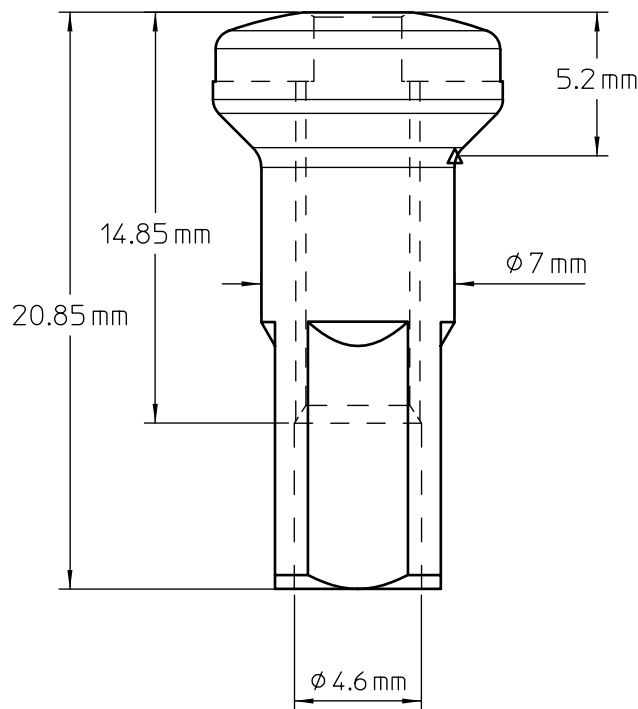
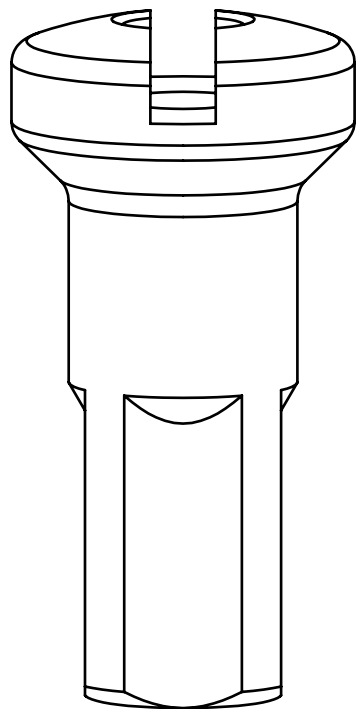
Silver version: zinc nickel,

trivalent zinc plating, zinc passivated

Black version: zinc nickel

STANDARD - SCREW CUT

Standard: simple and essential, the nipples in the standard range are the result of a careful selection of materials and surface treatments and the precision of our manufacturing processes.



- **BODY DIAMETER**

Ø 7 mm

- **LENGTH**

20.85 mm

- **THREAD**

M4.5x0.75

- **PACKAGE QUANTITY**

2000 pieces

- **FURTHER INFORMATION**

These nipples can be produced with the same dimensions and properties with the following thread sizes:

M4x0.7, M3.5x0.6 and 2.50 mm.

- **MATERIALS**

Alloy 2024

Carbon Steel Class 8 High Strength

- **COLORS**

Black / Silver

Other colors on request only in anodized aluminum version

- **SURFACE COATINGS**

Alloy

Polishing

Anodizing

Steel

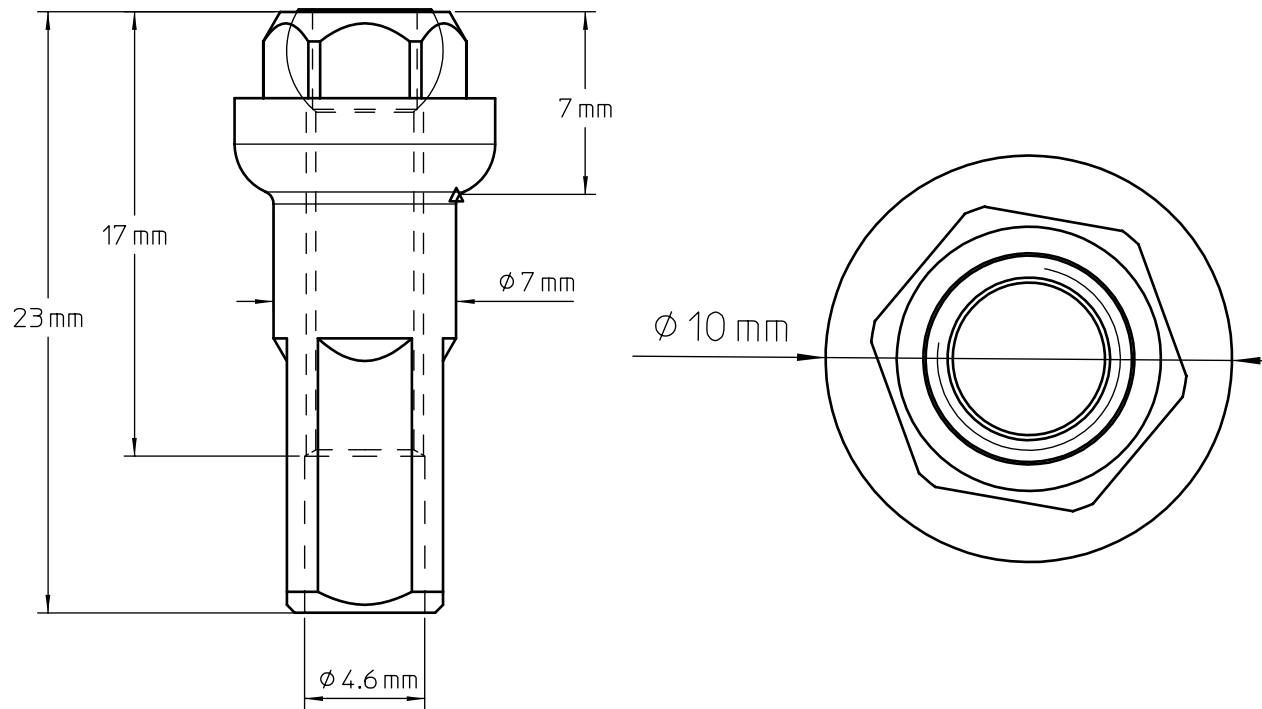
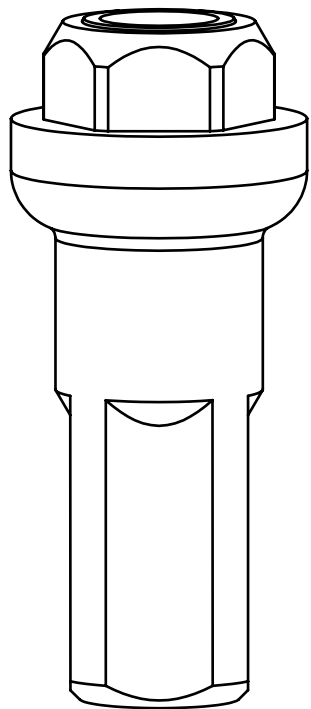
Silver version: zinc nickel,

trivalent zinc plating, zinc passivated

Black version: zinc nickel

ABS - HEXAGONAL HEAD

Self-locking: the self-locking range includes a number of technical solutions designed by Alpina to ensure proper tensioning, prevent loosening and absorb vibrations.



- **BODY DIAMETER**

Ø 7 mm

- **LENGTH**

23 mm

- **THREAD**

M4.5x0.75

- **PACKAGE QUANTITY**

2000 pieces

- **FURTHER INFORMATION**

These nipples can be produced with the same dimensions and properties with the following thread sizes:

M5x0.8 (steel version only), M4x0.7

- **MATERIALS**

Alloy 2024

Carbon Steel Class 8 High Strength

- **COLORS**

Black / Silver

Other colors on request only in anodized aluminum version

- **SURFACE COATINGS**

Alloy

Polishing

Anodizing

Steel

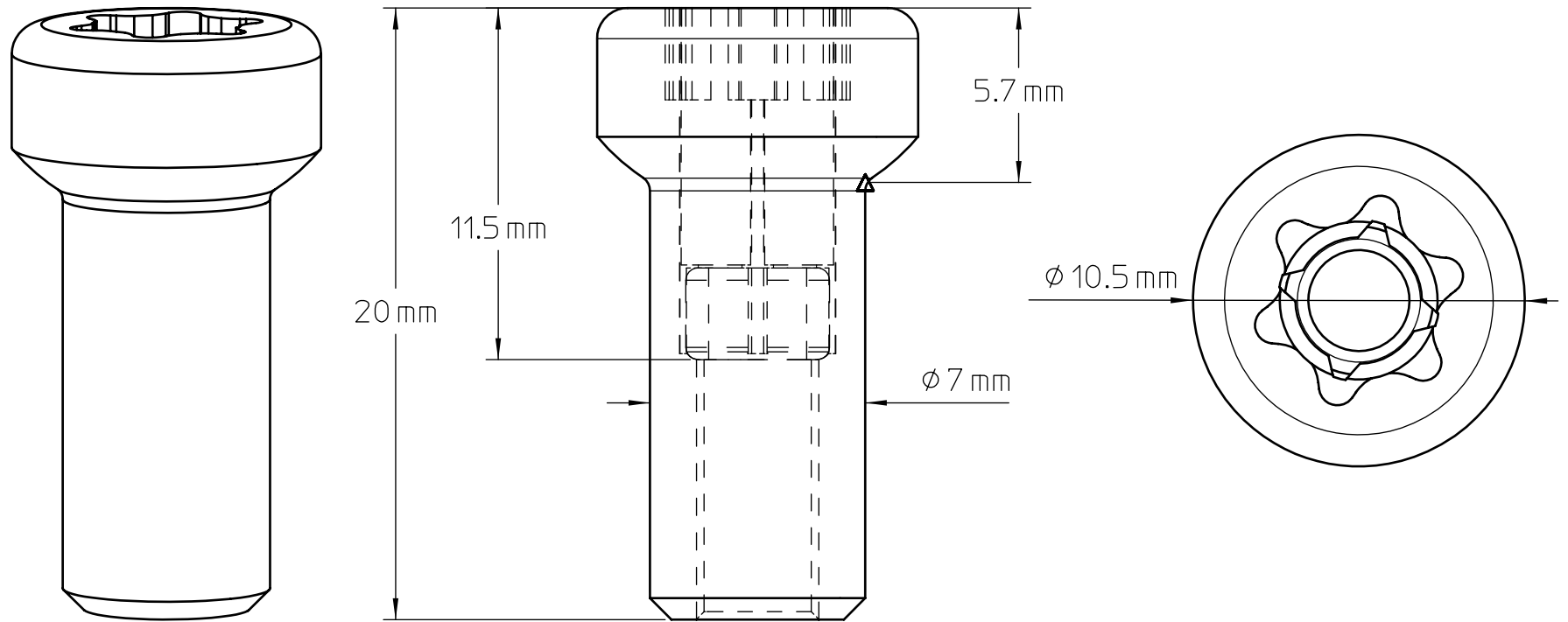
Silver version: zinc nickel,

trivalent zinc plating, zinc passivated

Black version: zinc nickel

ABI – RECESSED TORX KEY T40

Self-locking: the self-locking range includes a number of technical solutions designed by Alpina to ensure proper tensioning, prevent loosening and absorb vibrations.



- **BODY DIAMETER**

Ø 7 mm

- **LENGTH**

20 mm

- **THREAD**

M4X0.7

- **PACKAGE QUANTITY**

2000 pieces

- **MATERIALS**

Carbon Steel Class 8 High Strength

- **COLORS**

Black / Silver

- **SURFACE COATINGS**

Silver version:

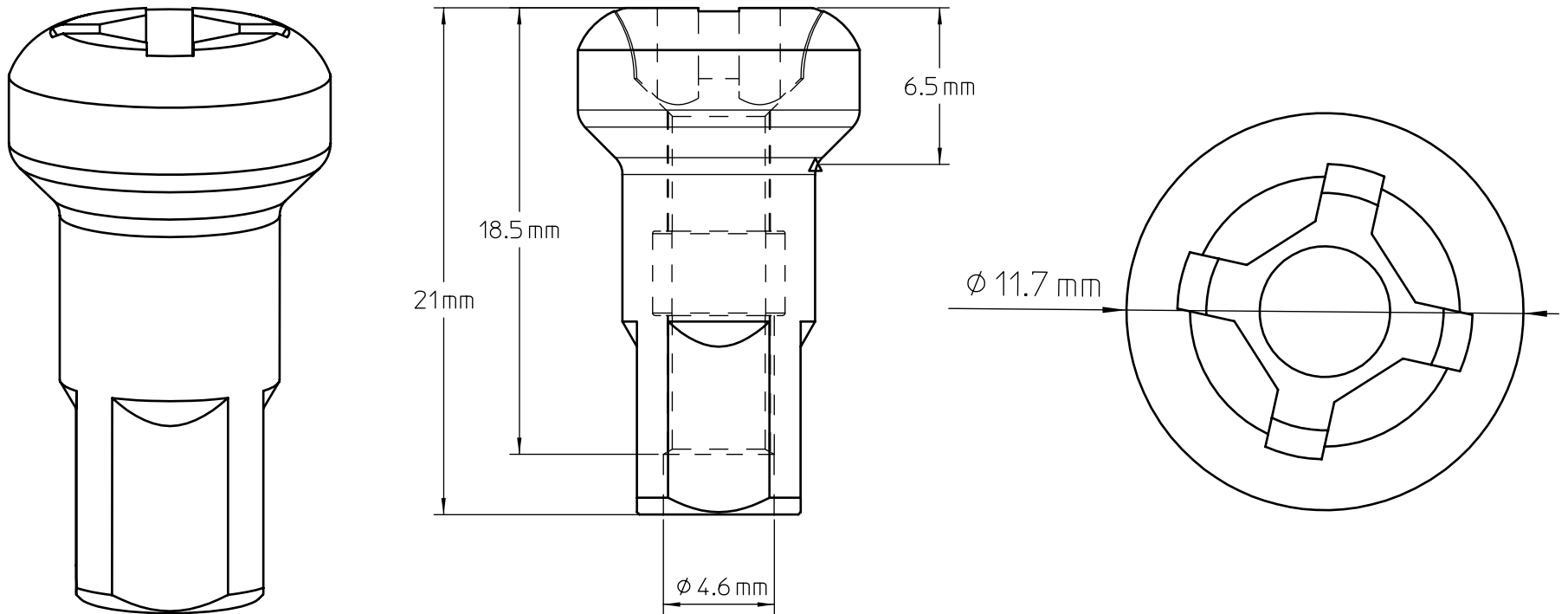
Zinc nickel, trivalent zinc plating,
zinc passivated

Black version:

Zinc nickel

ABK – RECESSED QUADRIX KEY 4

Self-locking: the self-locking range includes a number of technical solutions designed by Alpina to ensure proper tensioning, prevent loosening and absorb vibration.



- **BODY DIAMETER**

$\phi 8$ mm

- **LENGTH**

21 mm

- **THREAD**

M4.5X0.75

- **PACKAGE QUANTITY**

2000 pieces

- **MATERIALS**

Alloy 2024

- **COLORS**

Black / Silver

Other colors on request

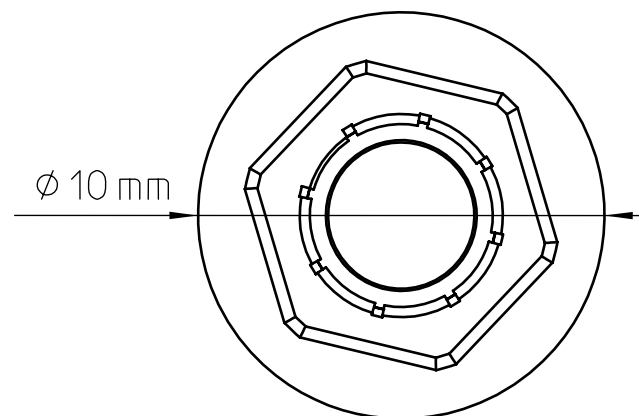
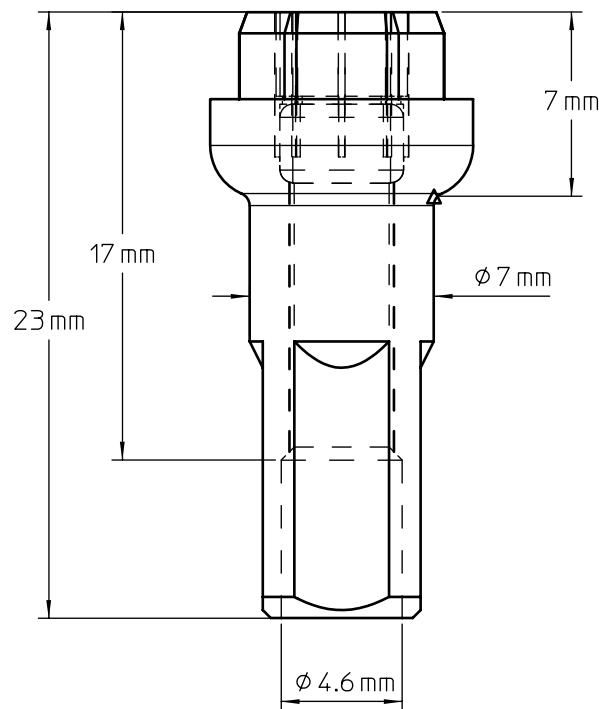
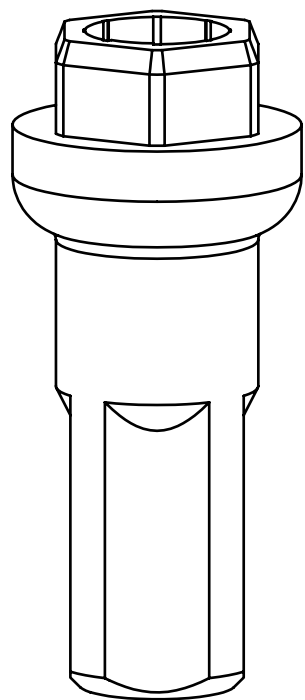
- **SURFACE COATINGS**

Polishing

Anodizing

ABR - HEXAGONAL HEAD

Self-locking: the self-locking range includes a number of technical solutions designed by Alpina to ensure proper tensioning, prevent loosening and absorb vibrations.



- **BODY DIAMETER**

$\phi 7$ mm

- **LENGTH**

23 mm

- **THREAD**

M4.5X0.75

- **PACKAGE QUANTITY**

2000 pieces

- **ADDITIONAL INFORMATION**

These nipples can be produced with the same dimensions and properties with the following thread sizes:

M5X0.8, M4X0.75

- **MATERIALS**

Carbon Steel Class 8 High Strength

- **COLORS**

Black / Silver

- **SURFACE COATINGS**

Silver version:

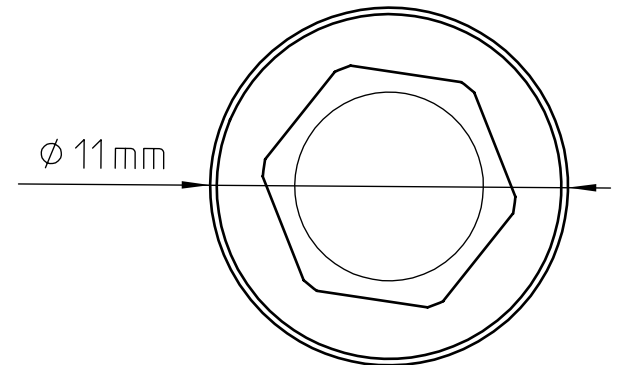
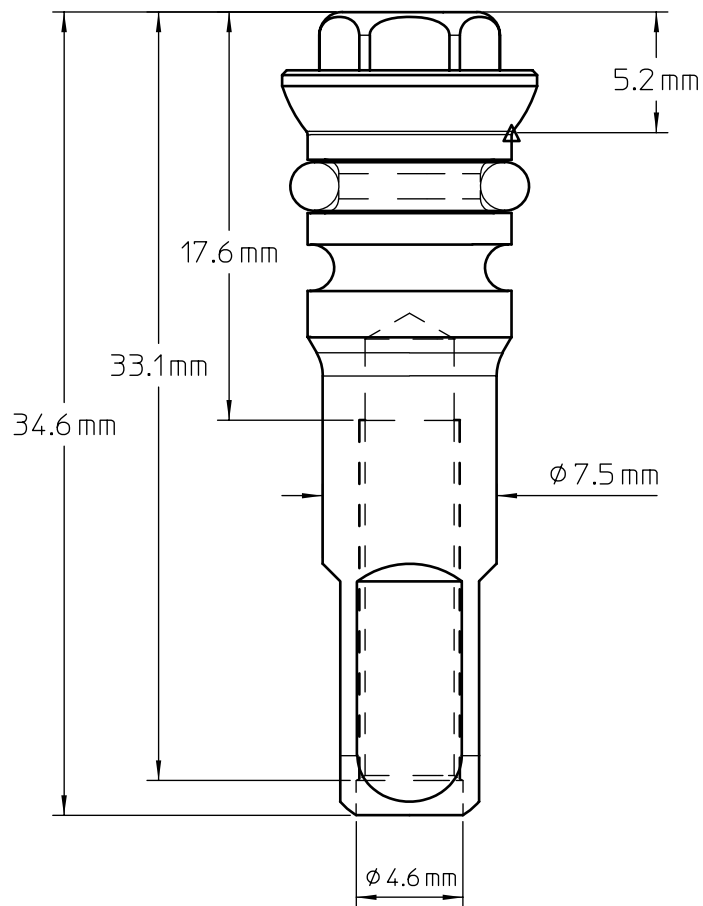
Zinc nickel, trivalent zinc plating, zinc passivated

Black version:

Zinc nickel

STS TUBELESS - TE / HEXAGONAL HEAD - SINGLE O-RING - STEEL Ø 8.80

The STS range includes our Tubeless solutions, designed to ensure long-lasting air tightness and a safe and reliable wheel.



- **BODY DIAMETER**

Ø 8.80 mm

- **LENGTH**

34.6 mm

- **THREAD**

M4.5x0.75

- **PACKAGE QUANTITY**

1000 pieces

- **FURTHER INFORMATION**

These nipples can be produced with the same dimensions and properties with the following thread sizes: M4x0.7

- **MATERIALS**

Carbon Steel Class 8 High Strength

- **COLORS**

Black / Silver

- **SURFACE COATINGS**

Silver version:

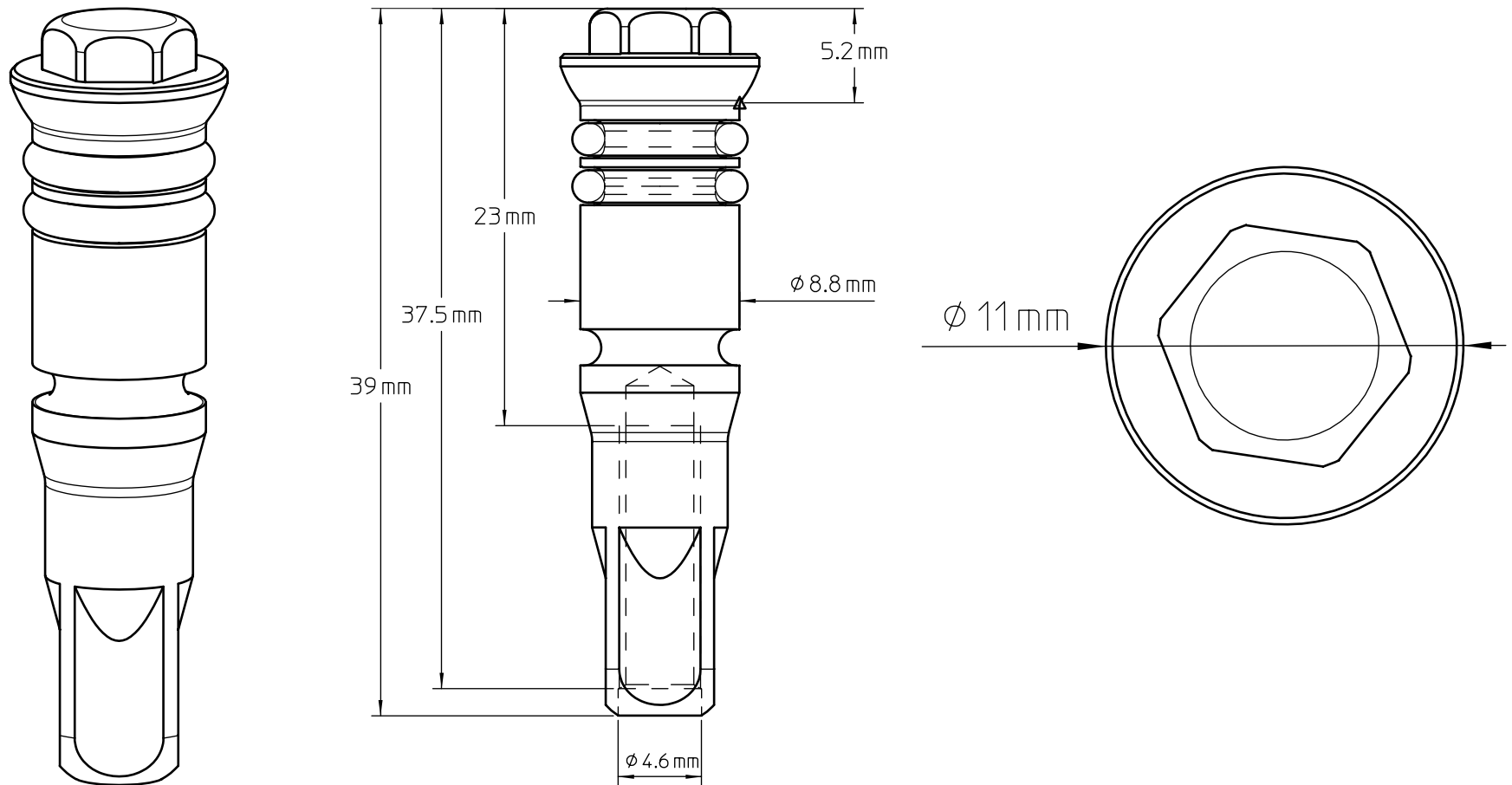
Zinc nickel, trivalent zinc plating, zinc passivated

Black version:

Zinc nickel

STS TUBELESS - TE / HEXAGONAL HEAD - DOUBLE O-RING - STEEL Ø 8.80

The STS range includes our Tubeless solutions, designed to ensure long-lasting air tightness and a safe and reliable wheel.



- **BODY DIAMETER**

Ø 8.80 mm

- **LENGTH**

39 mm

- **THREAD**

M4,5

- **PACKAGE QUANTITY**

1000 pieces

- **MATERIALS**

Carbon Steel Class 8 High Strength

- **COLORS**

Black / Silver

- **SURFACE COATINGS**

Silver version:

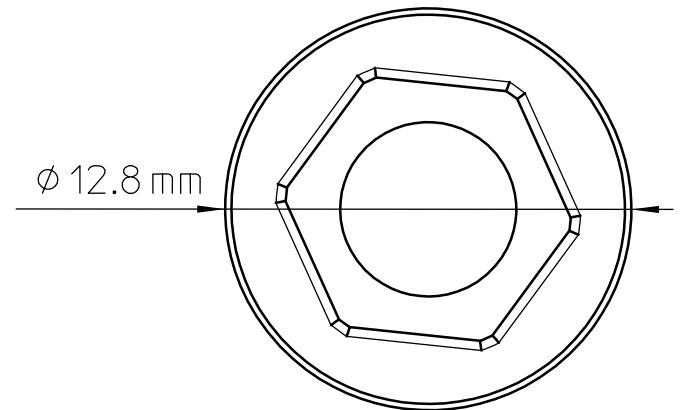
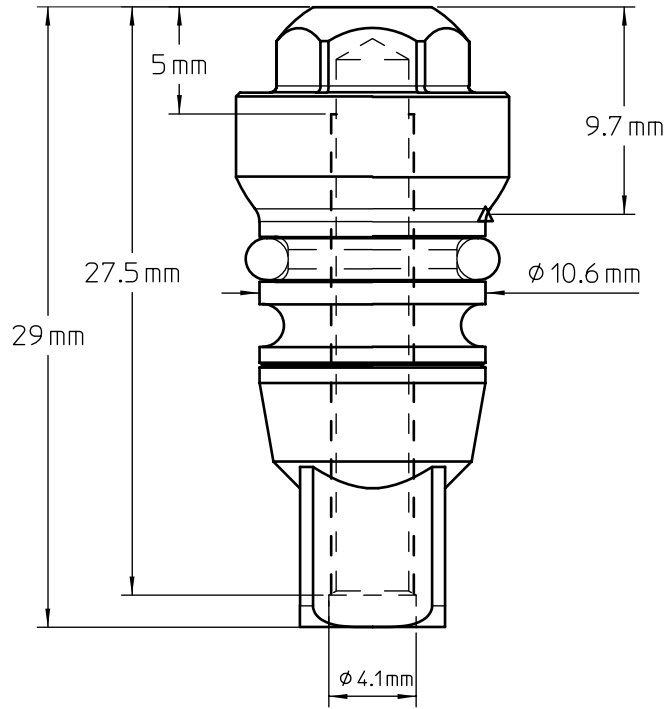
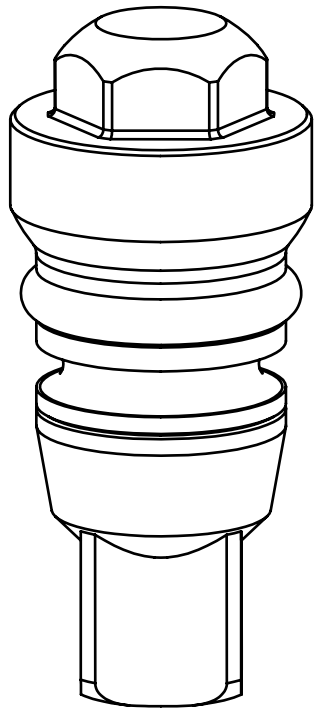
Zinc nickel, trivalent zinc plating,
zinc passivated

Black version:

Zinc nickel

STS TUBELESS – TE / HEXAGONAL HEAD – SINGLE O-RING – ALLOY Ø 10.60

The STS range includes our Tubeless solutions, designed to ensure long-lasting air tightness and a safe and reliable wheel.



- **BODY DIAMETER**

Ø 10.60 mm

- **LENGTH**

29 mm

- **THREAD**

M4x0.7

- **PACKAGE QUANTITY**

1000 pieces

- **FURTHER INFORMATION**

These nipples can be produced with the same dimensions and properties with the following thread sizes:

M4.5x0.75

- **MATERIALS**

Alloy 2024

- **COLORS**

Black / Silver

Other colors on request only in the anodized aluminum version

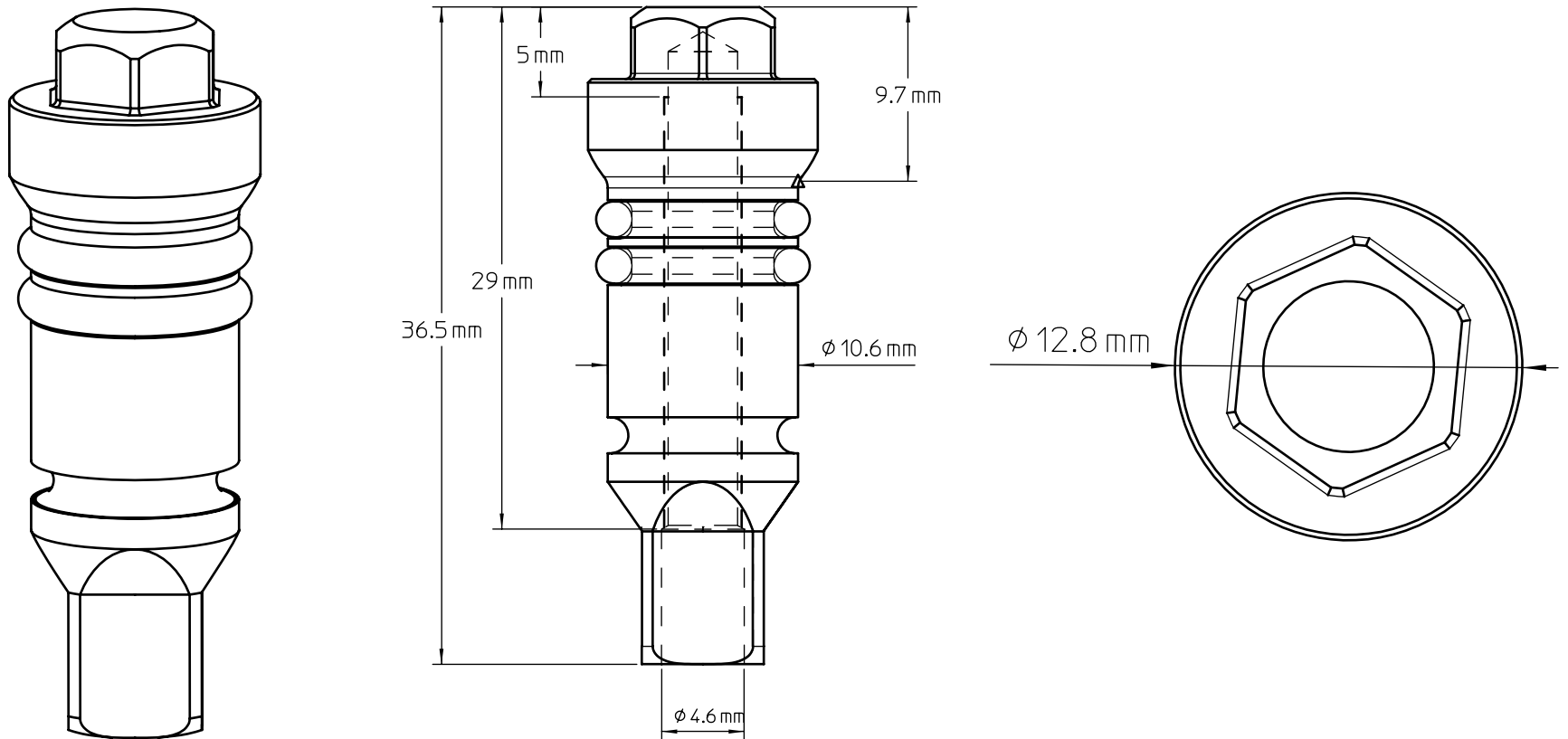
- **SURFACE COATINGS**

Polishing

Anodizing

STS TUBELESS – TE / HEXAGONAL HEAD – DOUBLE O-RING – ALLOY Ø 10.60

The STS range includes our Tubeless solutions, designed to ensure long-lasting air tightness and a safe and reliable wheel.



- **BODY DIAMETER**

Ø 10.60 mm

- **LENGTH**

Ø 36.5 mm

- **THREAD**

Ø M4.5x0.75

- **PACKAGE QUANTITY**

1000 pieces

- **FURTHER INFORMATION**

These nipples can be produced with the same dimensions and properties with the following thread sizes:

M4x0.7

- **MATERIALS**

Alloy 2024

- **COLORS**

Black / Silver

Other colors on request only in the anodized aluminum version

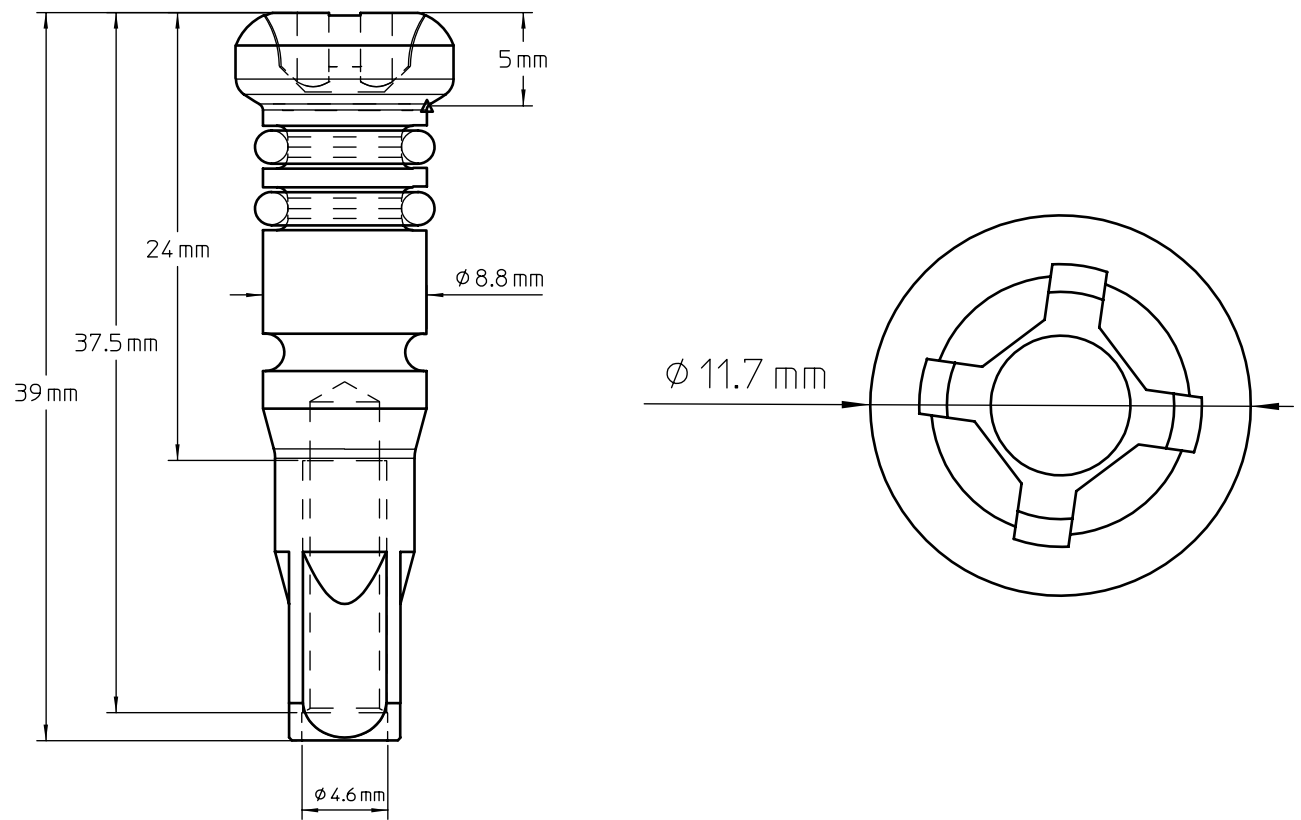
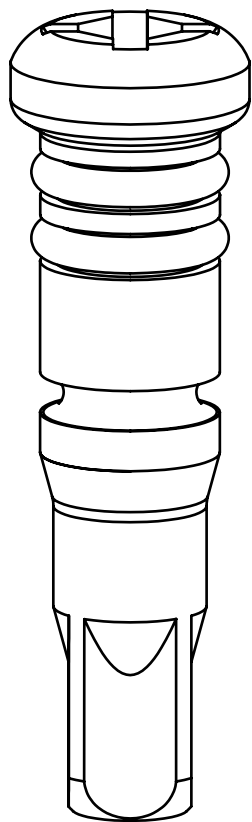
- **SURFACE COATINGS**

Polishing

Anodizing

STS 2 TUBELESS / RECESSED QUADRIX 4 – DOUBLE O-RING – STEEL Ø 8.80

The STS range includes our Tubeless solutions, designed to ensure long-lasting air tightness and a safe and reliable wheel.



- **BODY DIAMETER**

$\phi 8.80 \text{ mm}$

- **LENGTH**

34.6 mm

- **THREAD**

M4.5x0.75

- **PACKAGE QUANTITY**

1000 pieces

- **FURTHER INFORMATION**

These nipples can be produced with the same dimensions and properties with the following thread sizes: M4x0.7

- **MATERIALS**

Carbon Steel Class 8 High Strength

- **COLORS**

Black / Silver

- **SURFACE COATINGS**

Silver version:

Zinc nickel, trivalent zinc plating, zinc passivated

Black version:

Zinc nickel

ALPINA RAGGI S.P.A.

SPOKES & NIPPLES

Via Piave, 10 - 23871
LOMAGNA (Lecco) Italia

info@alpinaraggi.it
Tel. +39 039 92281
Fax +39 039 9220294
www.alpinaraggi.it



alpina_raggi



Alpina
Tubeless
Wheels



DESIGN AND PRODUCTION
OF SPOKES, NIPPLES AND
SPECIAL APPLICATIONS
PRODUCTS.

